

2J4D01MPCF

GPS/GLONASS Magnetic/Adhesive Mount

Key Features

GPS/GLONASS/BeiDou/QZSS/Galileo

- 1561-1606 MHz

Magnetic/Adhesive Mount

Pre-Filter

Voltage 1.5 - 3.6 V

Ground Plane Independent

Customizable Cable and Connector

Dimensions 41 x 34 x 13.5/14.5 mm

Certificate IP67



Note: See other Gain / Filter options available:

2J4D01MPCFz 28 dB Active Gain / Mid-Filter

2J4D01MPCFy 14 dB Active Gain / Pre-Filter



1. Antenna and electrical specifications

Parameters	GPS/GLONASS Antenna		
	BeiDou	GPS/QZSS/Galileo	GLONASS
Standard			
Band (MHz)	1561	1575	1602
Frequency(MHz)	1561.098	1575.42	1598-1606
Patch Size (mm)		25 x 25 x 4	
Return Loss (dB)		<=-15.0 dB	
VSWR		<=1.4:1 dB	
Impedance		50	
Radiation Pattern		Hemispherical	
Polarization		RHCP	
Saw Filter		Pre-Filter	
Active Gain (dB)		28 @ 2.7 V	
Noise Figure (dB)		1.5 Typ	
Voltage (V)		1.5 – 3.6	
Current (mA)		9 Typ	
Power Consumption (mW)		24.3 Typ	
ESD Protection		2 kV	
Connector Type	SMA-Male Standard (Other Connectors Available)		
Cable Length	300 cm Standard (Any Cable Length Available)		
Cable Type	RG174 Standard (Other Cables Available)		

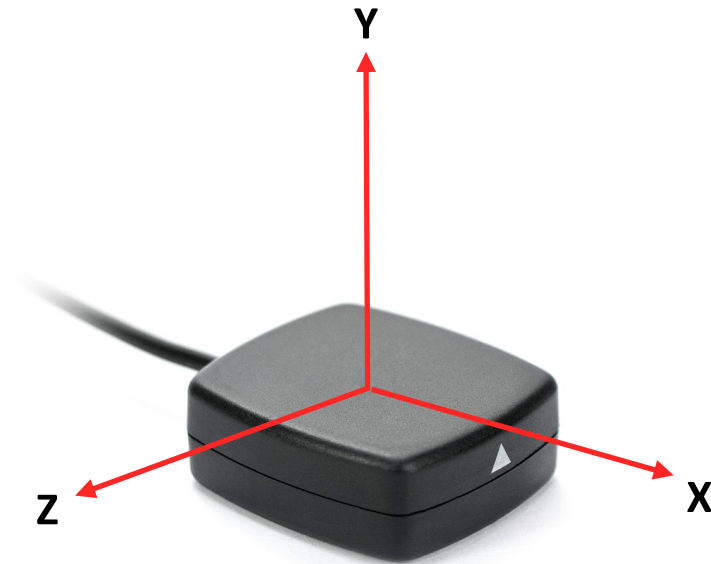
Note: See other Gain / Filter options available:

2J4D01MPCFz 28 dB Active Gain / Mid-Filter

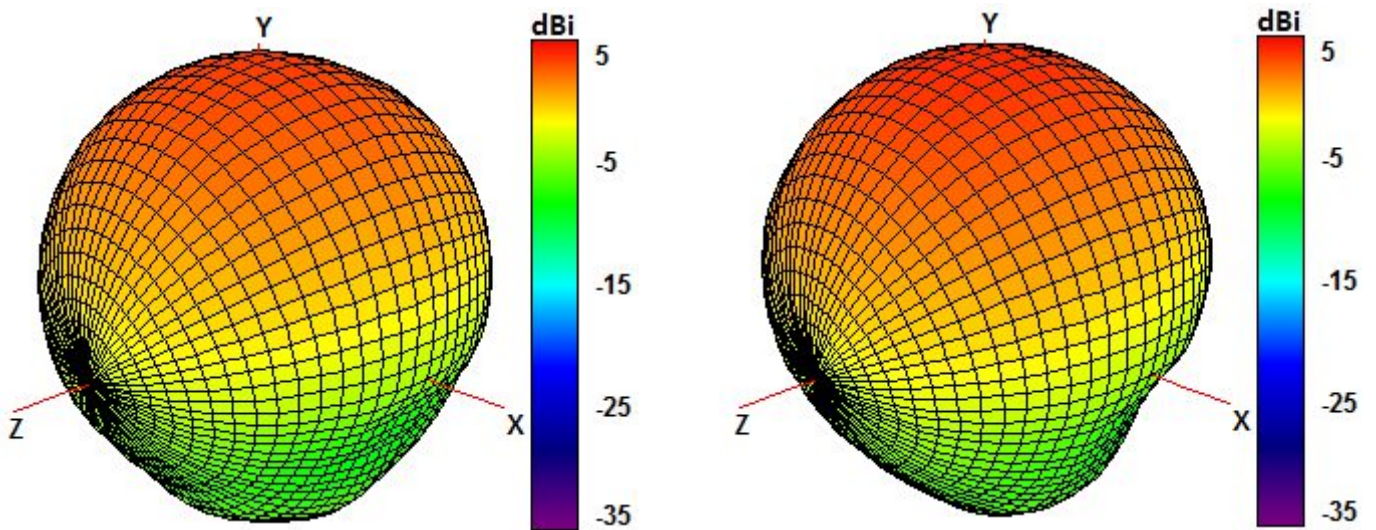
2J4D01MPCFy 14 dB Active Gain / Pre-Filter

2. Mechanical and environmental specifications

Specifications	2J4D01MPCF
Mounting Type	Magnetic/Adhesive Mount
Dimensions (mm)	41 x 34 x 13.5/14.5
Radome Type	ABS
Radome Color	Black
Antenna Base	ABS
Operating Temperature (C)	-40 to +85
Storage Temperature (C)	-40 to +85
Certificate	IP67
Substance Compliance	RoHS

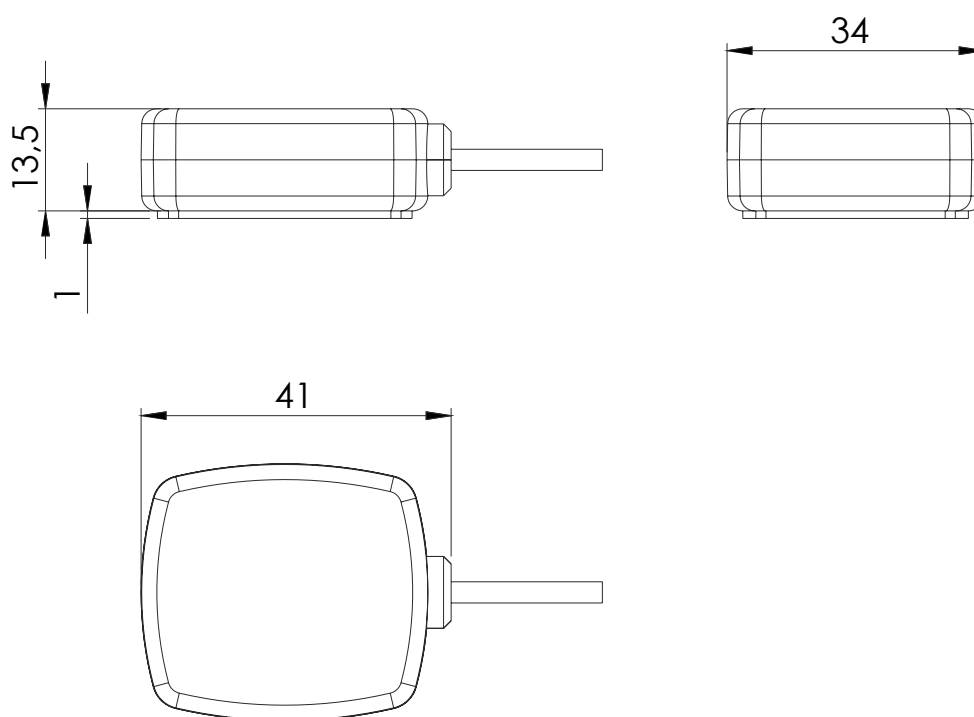


Radiation pattern reference



1575 MHz and 1600 MHz Radiation pattern

3. Antenna drawings



4. Antenna Images

