

## 2J4301MPGF

### GPS/GLONASS Adhesive/Magnetic Mount

#### Key Features

GPS/GLONASS/QZSS/Galileo

- 1575-1606 MHz

Magnetic/Adhesive Mount

Pre-Filter

Voltage 1.5 - 3.6 V

Ground Plane Independent

Customizable Cable and Connector

Dimensions 38 x 34 x 13.5/14.5 mm

Certificates IP67



**Note: See other Gain / Filter options available:**

**2J4301MPGFz** 28 dB Active Gain / Mid-Filter

**2J4301MPGFy** 14 dB Active Gain / Pre-Filter



## 1. Antenna and electrical specifications

Parameters	GPS/GLONASS Antenna	
	GPS/QZSS/Galileo	GLONASS
<b>Standard</b>	GPS/QZSS/Galileo	GLONASS
<b>Band (MHz)</b>	1575	1602
<b>Frequency(MHz)</b>	1575.42	1598-1606
<b>Patch Size (mm)</b>	25 x 25 x 4	
<b>Return Loss (dB)</b>	<=-15.0 dB	
<b>VSWR</b>	<=1.4:1 dB	
<b>Impedance</b>	50	
<b>Radiation Pattern</b>	Hemispherical	
<b>Polarization</b>	RHCP	
<b>Saw Filter</b>	Pre-Filter	
<b>Active Gain (dB)</b>	28 @ 2.7 V	
<b>Noise Figure (dB)</b>	1.5 Typ	
<b>Voltage (V)</b>	1.5 – 3.6	
<b>Current (mA)</b>	9 Typ	
<b>Power Consumption (mW)</b>	24.3 Typ	
<b>ESD Protection</b>	2 kV	
<b>Connector Type</b>	SMA-Male Standard (Other Connectors Available)	
<b>Cable Length</b>	300 cm Standard (Any Cable Length Available)	
<b>Cable Type</b>	RG174 Standard (Other Cables Available)	

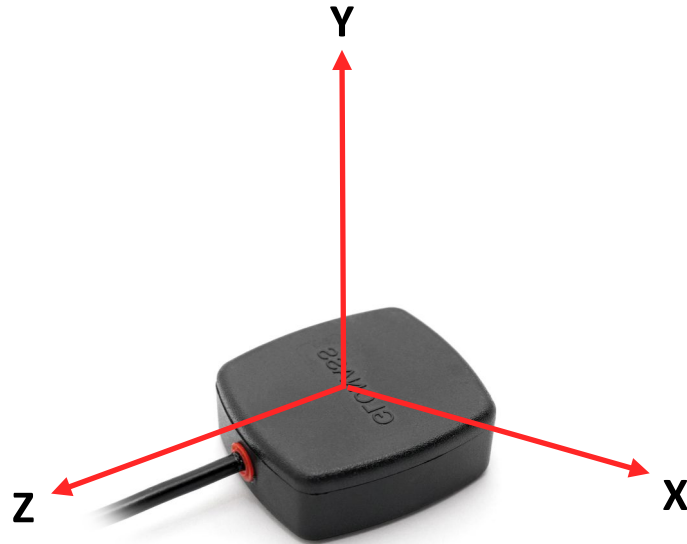
**Note:** See other Gain / Filter options available:

**2J4301MPGFz** 28 dB Active Gain / Mid-Filter

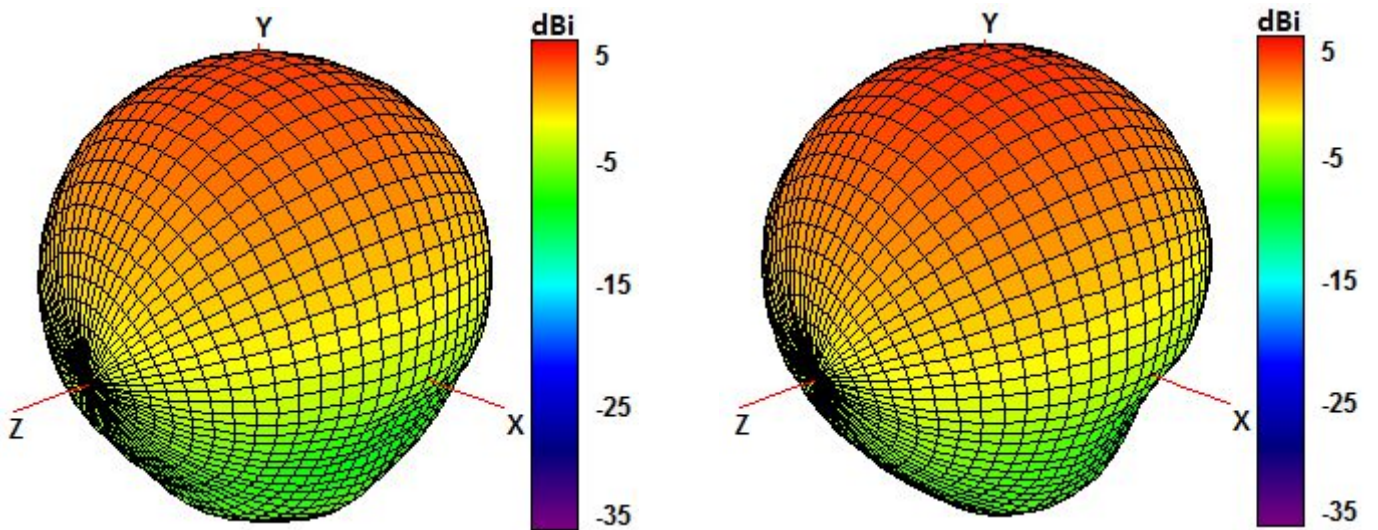
**2J4301MPGFy** 14 dB Active Gain / Pre-Filter

## 2. Mechanical and environmental specifications

Specifications	2J4301MPGF
<b>Mounting Type</b>	Adhesive/Magnetic Mount
<b>Dimensions (mm)</b>	38 x 34 x 13.5/14.5
<b>Random Type</b>	ABS
<b>Random Color</b>	Black
<b>Antenna Base</b>	ABS
<b>Operating Temperature (C)</b>	-40 to +85
<b>Storage Temperature (C)</b>	-40 to +85
<b>Certificates</b>	IP67
<b>Substance Compliance</b>	RoHS

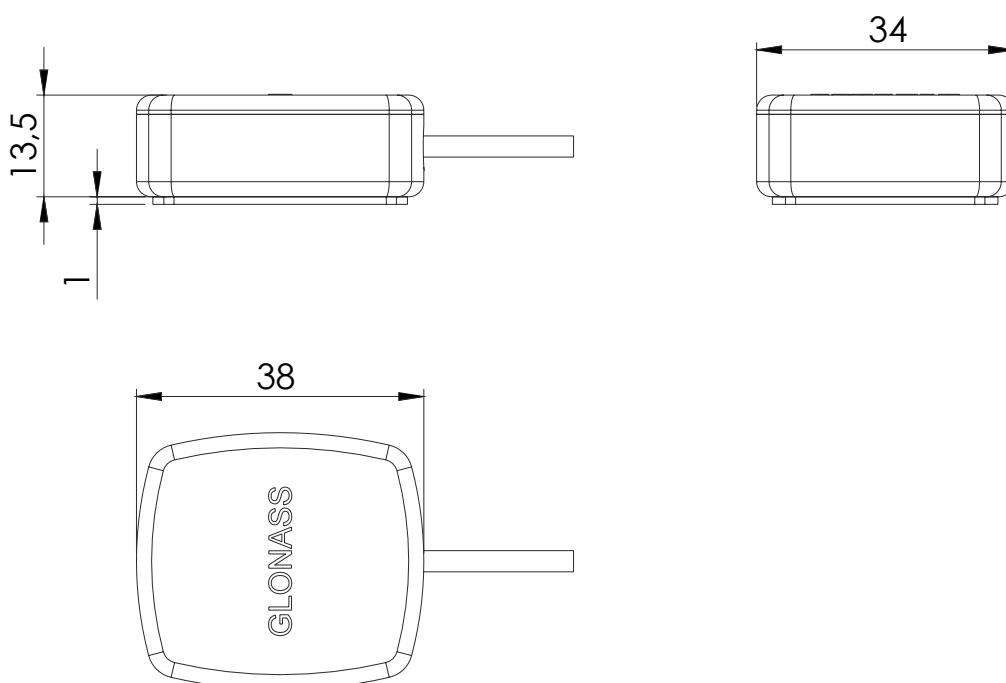


Radiation pattern reference



1575 MHz and 1600 MHz Radiation pattern

## 4. Antenna drawings



5. Antenna Images

