

2J2202K-B07H

2.4/5.0 GHz ISM Wall Mount

Key Features

2.4/5.0 GHz ISM

- 2410-2490 MHz
- 4920-5925 MHz

Wall Mount

High Performance

Ground Plane Independent

Customizable Cable and Connector

Dimensions 186 × 30 × 115 (134 × Ø 16) mm



1. Antenna and electrical specifications

Parameters	2.4/5.0 GHz ISM Antenna	
Standards	WiFi, BT, ZigBee, ISM	
Band (MHz)	2.4 GHz	5.0 GHz
Frequency (MHz)	2410-2490	4920-5925
Return Loss (dB)	~-15.1	~-12.8
VSWR	~1.5:1	~1.8:1
Efficiency (%)	~59.9	~44.9
Peak Gain (dBi)	~1.6	~1.5
Average Gain (dB)	~-2.2	~-3.5
Impedance (Ohm)	50	
Polarisation	Linear	
Radiation Pattern	Omni-Directional	
Max. Input Power (W)	25	
Connector Type	RP-SMA-Male Standard (Other Connectors Available)	
Cable Length	300 cm Standard (Any Cable Length Available)	
Cable Type	RG58 Standard (Other Cables Available)	

Antenna Measurement Conditions:

Free Space

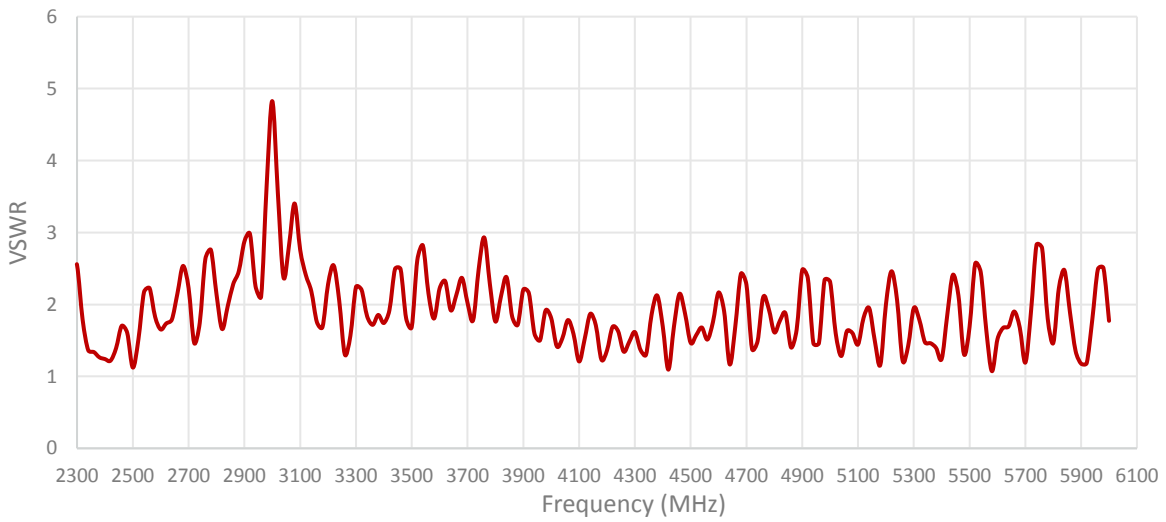
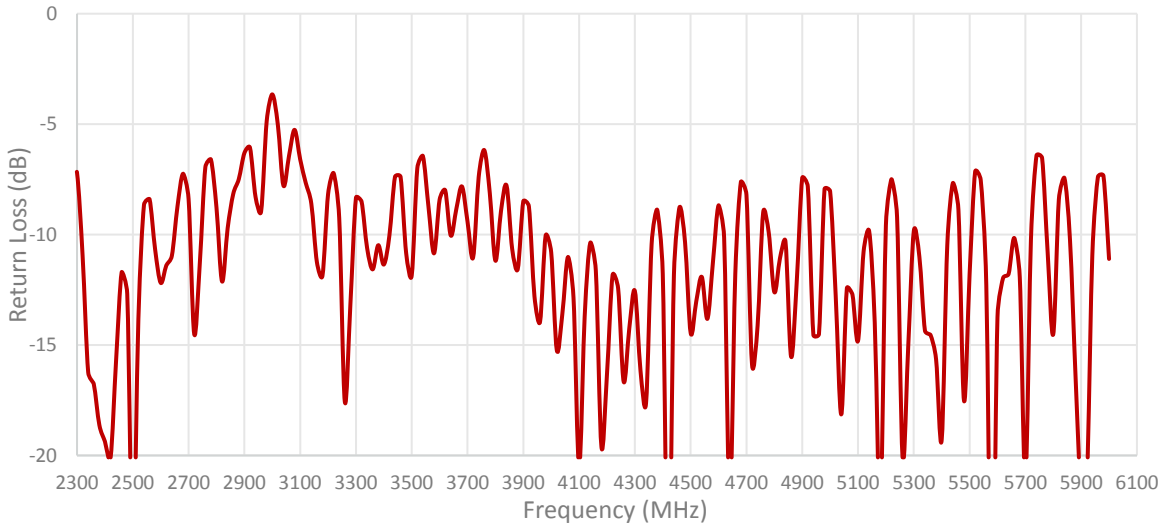
100 cm RG58 Cable

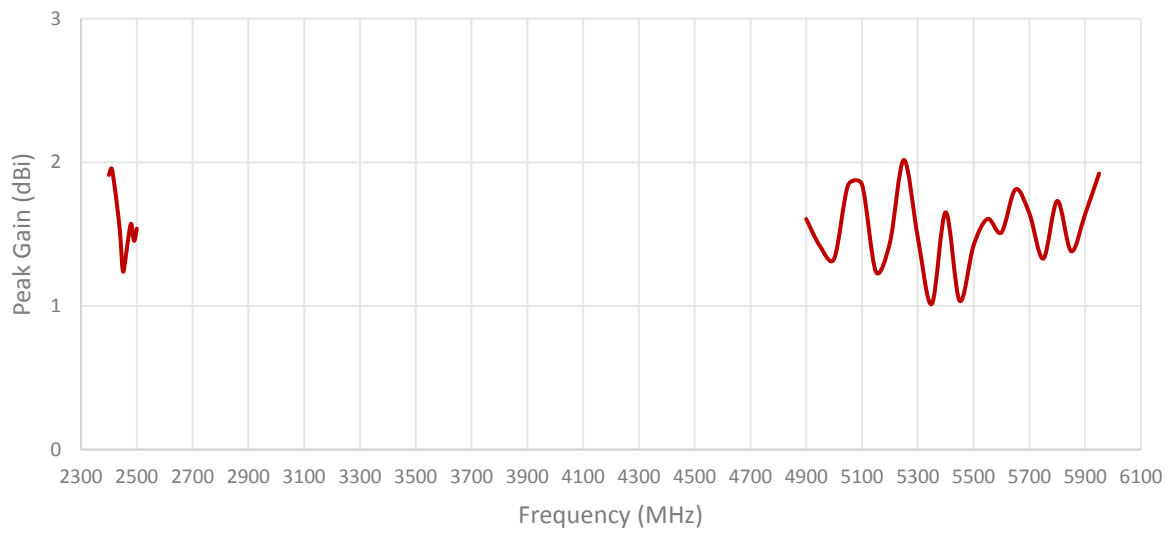
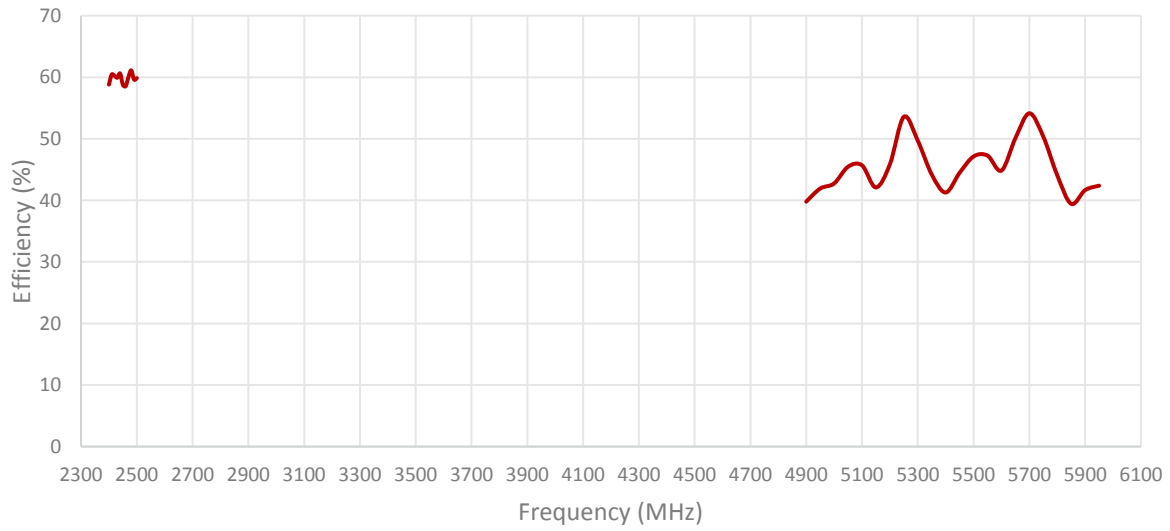
Measured in Certified CTIA 3D Anechoic Chamber

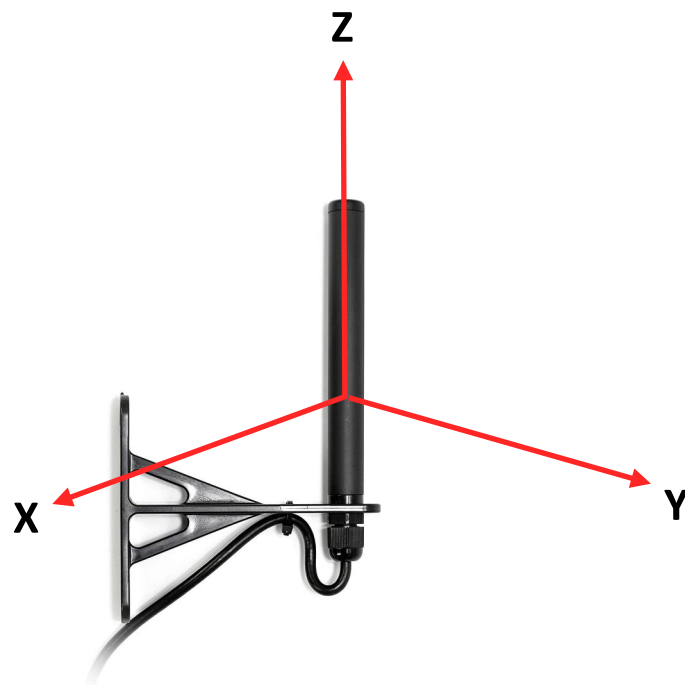
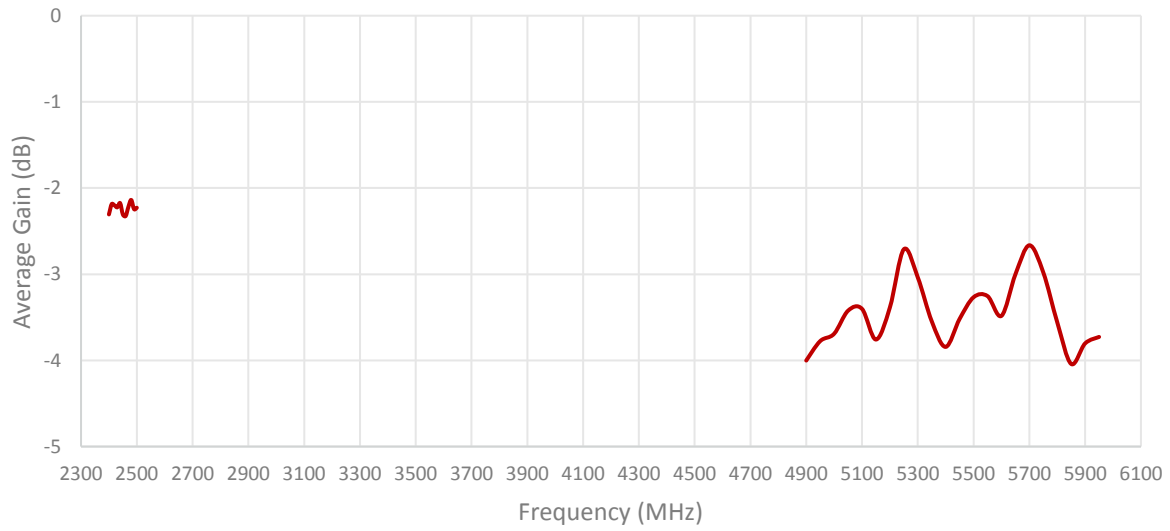
2. Mechanical and environmental specifications

Specifications	2J2202K-B07H
Mounting Type	Wall Mount
Dimensions (mm)	186 × 30 × 115 (134 × Ø 16)
Radome	ASA
Radome color	Black
Bracket	ASA
Operating Temperature (C)	-40 to +85
Storage Temperature (C)	-40 to +85
Substance Compliance	RoHS

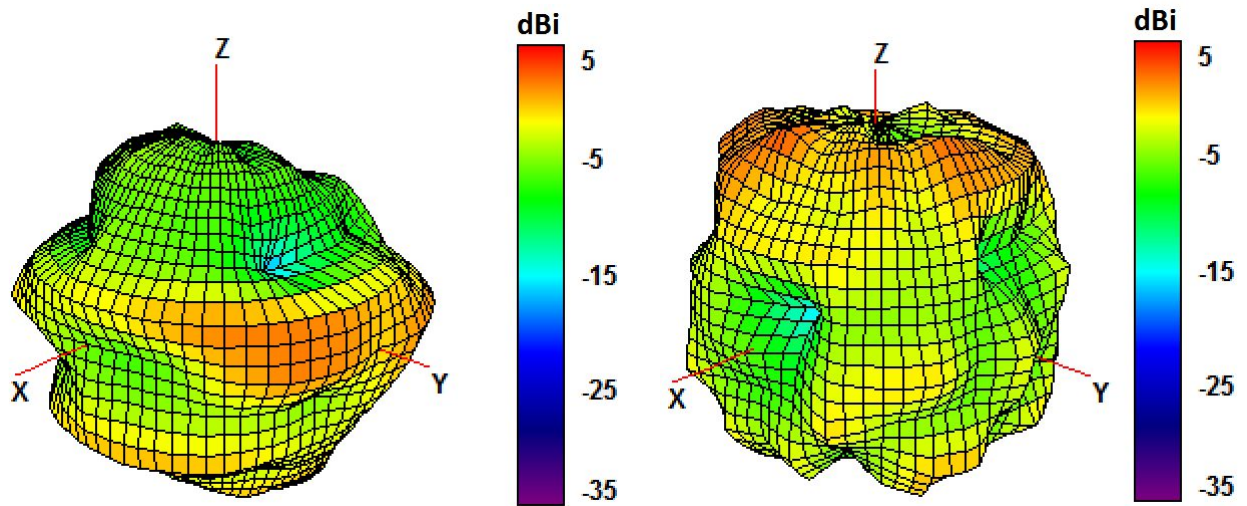
3. Antenna parameters





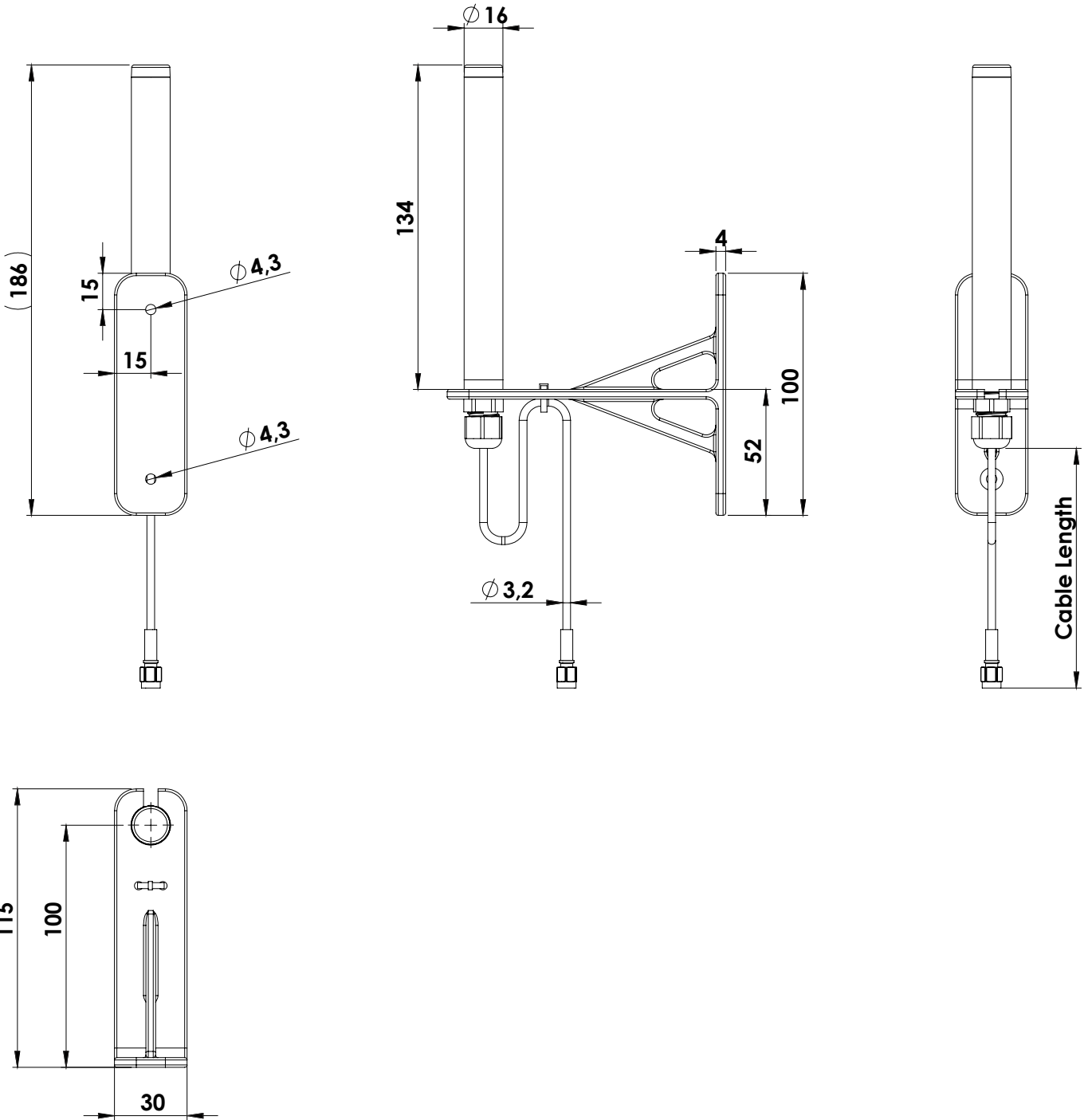


Radiation pattern reference



2450 and 5500 MHz Radiation pattern

4. Antenna drawings



5. Antenna Images

