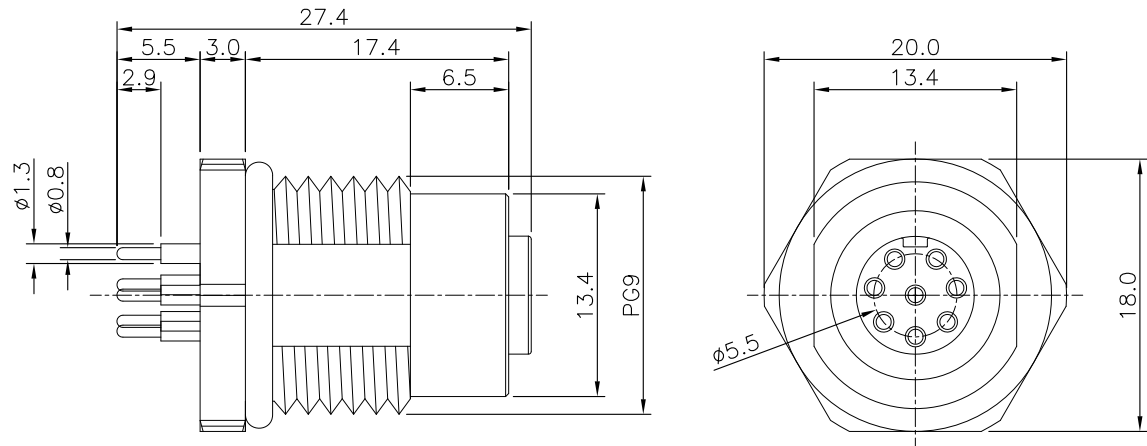
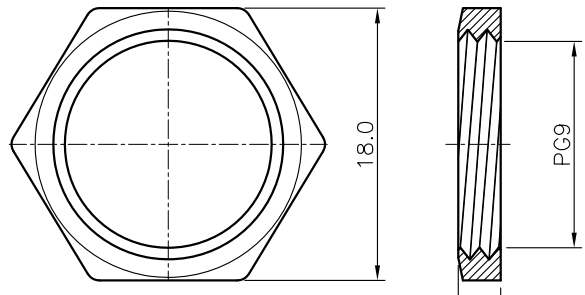


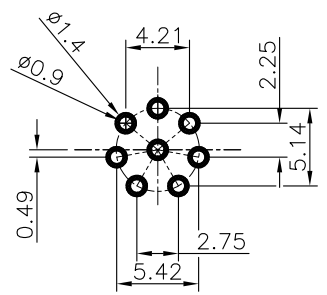
REV.	DESCRIPTION	DRAWN	DATE
1	INITIAL RELEASE	FROS	2015/06/16
2	ECR220421001	TIM	2022/04/21



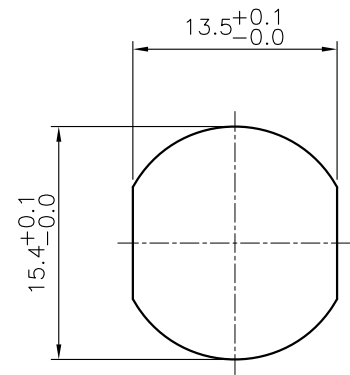
**BODY**



**NUT**



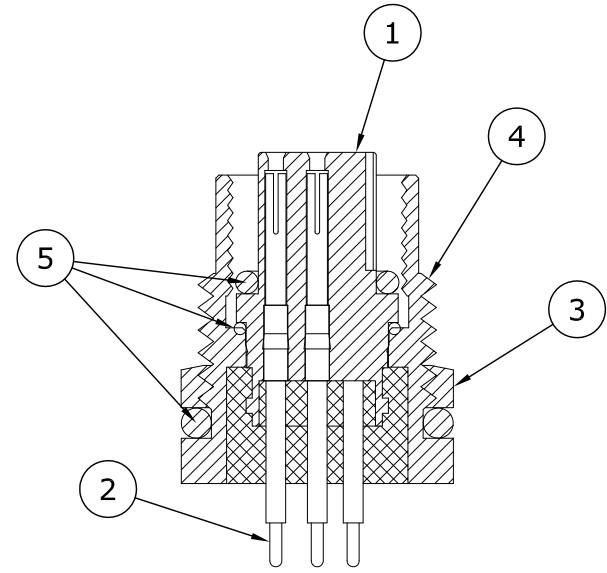
**RECOMMEND PCB LAYOUT**





**RECOMMEND PANEL CUT OUT**

**SPECIFICATION:**

1. Current Rating: 2A
2. Voltage Rating: 30V
3. Waterproof: IPX7
4. Operating temperature range: -40°C~+85°C



5	O-RING	EPDM
4	SHELL	BRASS, NICKEL PLATED
3	NUT	BRASS, NICKEL PLATED
2	CONTACT	BRASS, 10u" GOLD PLATED UNDER NICKEL
1	HOUSING	PBT, UL94V-0, BLACK
NO	PART NAME	DESCRIPTION

UNLESS OTHERWISE SPECIFIED TOLERANCE				
UNIT:	DECIMAL	LINEAR		
mm	X.	±0.50	±5°	WWW.ATTEND.COM.TW
	X.X	±0.25	±3°	
	X.XX	±0.12	±1°	
DRAWN	Fros	2015/06/16	DRAWN NAME: M12 8P FEMALE, DIP TYPE WATERPROOF CONNECTOR	
CHECKED	Zola	2015/06/16	PRODUCT NO. 216A-08FSF	
APPROVED	Ken	2015/06/16	FILE NAME 216A-08FSF_B_2	
	SCALE 2/1	SHEET 1/1	SIZE A4	