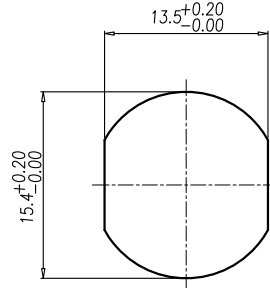
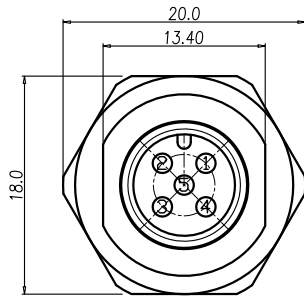
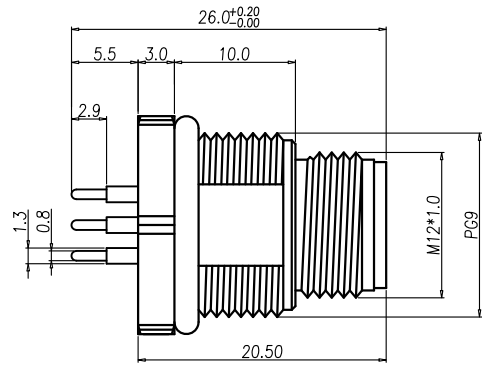


1	2	3	4	5	6	7	8	9	10
SWITCH CIRCUIT			MATERIAL AND FINISH AS BELOW						
WHEN CARD IS EJECTED		WHEN CARD IS INSERTED		A	Housing	PBT UL94V-0, Color: Black	E	O-Ring	EPDM Black
				B	Contact	Brass C3604, Contact Area:10u" Gold Plating Over Nickel	F	O-Ring	NBR Black
				C	Shell	Brass C3604, Nickel Plated	G	Epoxy Base	Epoxy Black
				D	Nut	Brass C3604, Nickel Plated	H		



RECOMMEND PANEL CUT-OUT

## SPECIFICATION:

### 1. ELECTRICAL

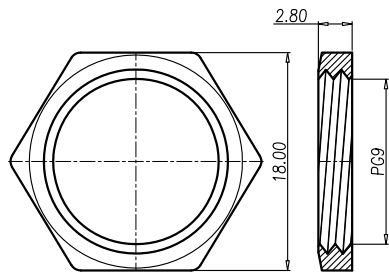
1.1 Current Rating: 4A per pin

1.2 Voltage Rating: 60V

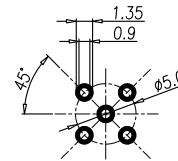
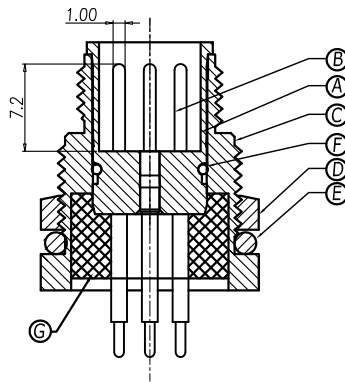
1.3 Water Proof: IPX7

### 2. ENVIRONMENTAL

2.1 Operating temperature range: -40°C ~ +85°C



NUT



RECOMMEND P.C.B LAYOUT

P1	P2	P3	P4	P5	P6	P7	P8	P9	P10	P11	P12
----	----	----	----	----	----	----	----	----	-----	-----	-----

PIN ASSIGNMENT

216A-05MSF  
PRODUCT NO.

M12 A Code 5Pin Receptacle, Male Straight PCB Type, Front Fastened, Contact: 10u" Gold Plating  
DESCRIPTION

UNLESS OTHERWISE SPECIFIED TOLERANCE		
ANGLES	ANG.	±5°
LINEAR	0.	±0.3
	0.0	±0.25
	0.00	±0.20
SCALE	AS SHOWN	UNIT: mm
DRAWN	Willis	2013/12/24
CHECKED	Angel	2013/12/24
APPROVED	Ken	2013/12/24



www.attend.com.tw

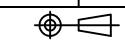
DRAWN NAME:  
M12 A- Code 5Pin Receptacle  
Male Straight PCB Type, Front Fastened

PRODUCT NO. 216A-05MSF

FILE NAME 216A-05MSF\_B\_2

REV.	DESCRIPTION	DATE	REV.	DESCRIPTION	DATE
1					
2					
3					
4					
5					
6					
7					
8					
9					
10					

△	ECR220421001	2022/04/21
△	INITIAL RELEASE	2013/12/24



SIZE A4

REV. 1.0