



1W-H0-06P BZ MS (24V)

Reader RFID | 13.56 MHz | Mifare | Multi System

Product Card



Before use...



Please do not open the reader and do not make any changes. This results in loss of warranty.



In case of any questions please contact with us. We certainly answer to all questions and solve possible problems.



Please carefully read the following information before connecting the reader.



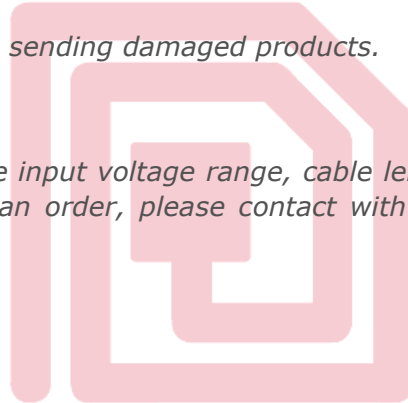
Please keep in mind, that there are factors as metal surfaces, which can affect on radio communication and correct reader operation. It is advisable to consult the mounting conditions before use with our staff.



Please contact with us before sending damaged products.



We offer possibility to change input voltage range, cable length and terminate it with a plug. Before making an order, please contact with us to determine the details.



General information

The RFID reader **1W-H0-06P BZ MS (24V)** reads identification data (UID) wireless of passive transponders (cards, tags, etc.) compatible with ISO/IEC14443-3-A (e.g. MIFARE cards) ISO/IEC14443-3-B, ISO 15659, Felica, iClass, ISO 18092.

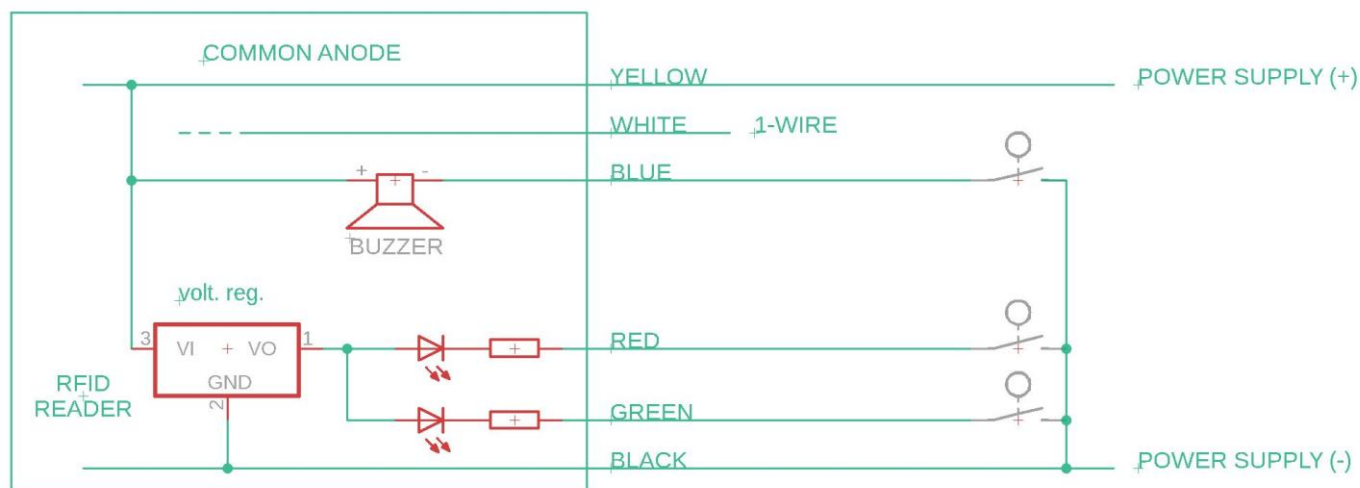
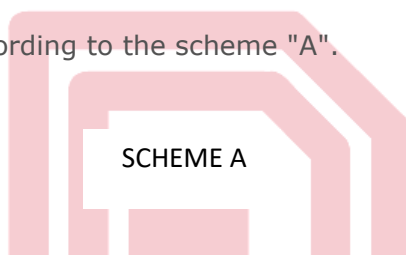
The built-in two-color LED and Buzzer for any use.

LEDs are powered by internal voltage regulator via built-in resistors. The light is on when the appropriate LED is connected to the minus of power supply.

BUZZER is activated when appropriate BUZZER output is connected to the minus of power supply.

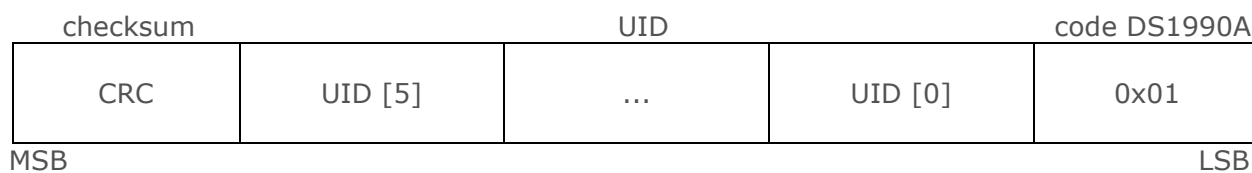
Grey	-	power supply (-)
Yellow	-	power supply (+)
Green	-	green LED
Brown	-	red LED
White	-	1-Wire
Pink	-	Buzzer

The reader should be connected according to the scheme "A".



DS1990A emulation

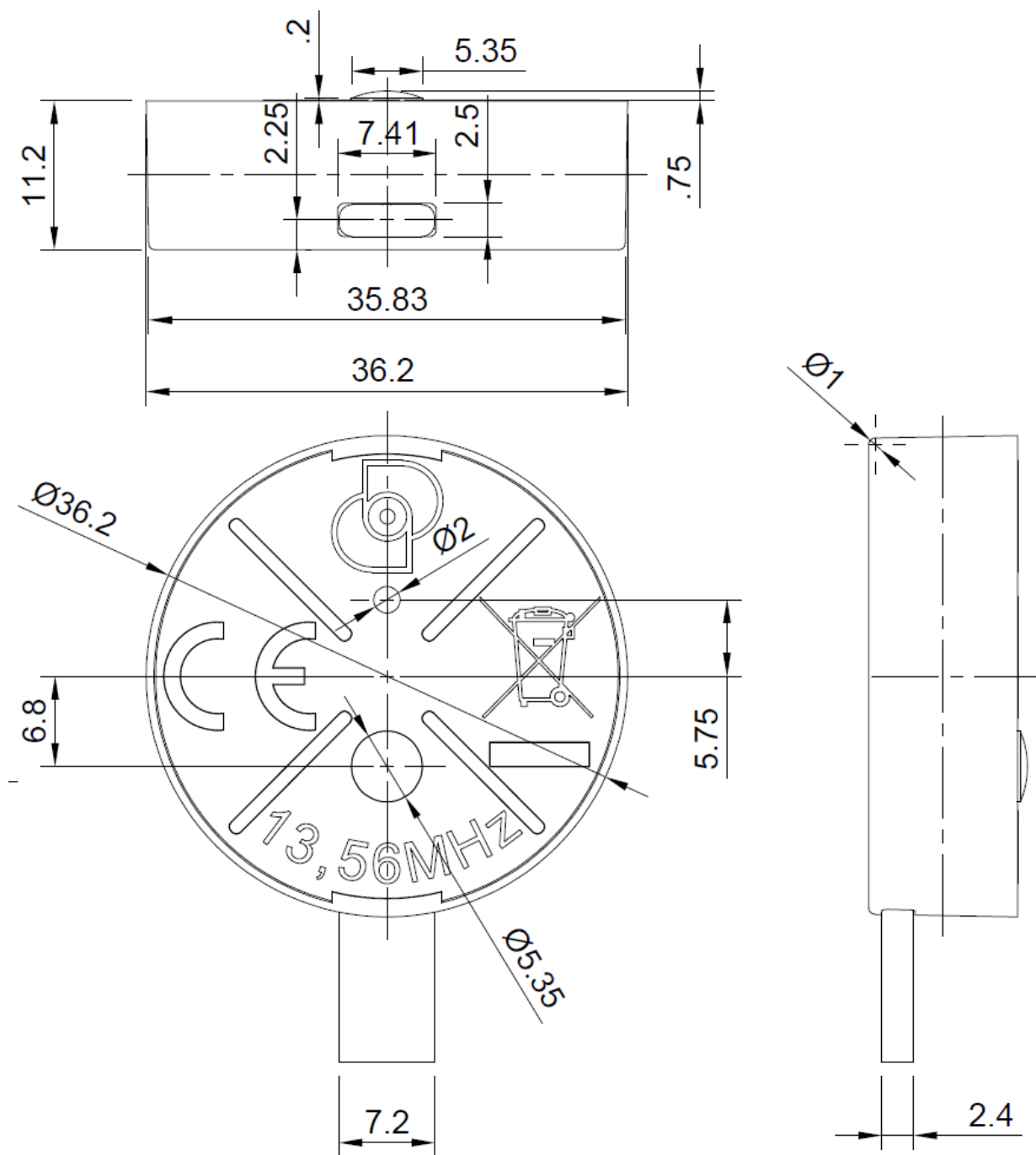
The read data are sent via 1-Wire interface, emulating the MAXIM DS1990A. For transponder UIDs of 4 bytes long, the oldest 2 bytes UIDs [4] and UID [5] are sent as 0x00 (zero) while, UIDs of 7 or 10 bytes are sent with 6 least significant UID bytes.



The reader is waiting for the proximity of the token (card) trying to read it. Each re-read attempt is made in cycles every 250ms. The identifier reading attempt time is 110 ms from the start of each cycle. After correct reading of the identifier, the Maxim DS1990A is emulated via the 1-Wire interface.



External dimensions



Technical Data

Power supply	24 V DC
Power supply efficiency	1 A
Peak current	150 mA
Average receiver current	30 mA (without LED)
Peak receiver current	50 mA
Green LED current	6 mA
Red LED current	6 mA
Buzzer current	35 mA
Peak Buzzer current	70 mA
Frequency	13,56 MHz
Type of transponder	ISO/IEC14443-3-A, ISO/IEC14443-3-B, ISO 15693, Felica, iClass, ISO 18092
Surface of the antenna	8,6 cm ²
Reading range	Mifare ~3cm ; ISO 15693 ~ 7,5cm ; Felica ~3cm ; HID ~5cm
Reading frequency	4/s
Supported 1-Wire commands	0x33 (0x0F) - Read ROM 0xF0 - Search ROM
Mounting method	tape, glue, etc.
Cable length	0,4 m (flat cable)
Reader temperature	-20° C +55° C
ROHS	YES