




Chip protection, even against hot chips, cost-effective



Series R157 | Hinged, snap-open on both sides of the inner radius

Series R158 | Hinged, snap-open on both sides of the outer radius | Standard

e-tubes snap-open along inner radius	e-tubes snap-open along outer radius		<i>Bi</i> [mm]	<i>Ba</i> [mm]	<i>R</i> Bending radii [mm]	R157 [kg/m]	R158 [kg/m]
157.040.R.0 ¹⁾	158.040.R.0 ¹⁾		40	56	100 125 150 175 200 250	≈ 1,21	≈ 1,21
157.050.R.0	158.050.R.0		50	66	100 125 150 175 200 250	≈ 1,30	≈ 1,30
157.075.R.0	158.075.R.0		75	91	100 125 150 175 200 250	≈ 1,50	≈ 1,50
157.088.R.0	158.088.R.0		88	104	100 125 150 175 200 250	≈ 1,57	≈ 1,57
157.090.R.0 ²⁾	158.090.R.0 ²⁾		88	104	100 125 150 175 200 250	≈ 1,63	≈ 1,63
157.100.R.0	158.100.R.0		100	116	100 125 150 175 200 250	≈ 1,71	≈ 1,71
157.125.R.0	158.125.R.0		125	141	100 125 150 175 200 250	≈ 1,92	≈ 1,92
157.135.R.0	158.135.R.0		135	150	100 125 150 175 200 250	≈ 2,10	≈ 2,10
157.150.R.0	158.150.R.0		150	166	100 125 150 175 200 250	≈ 2,13	≈ 2,13
157.175.R.0	158.175.R.0		175	191	100 125 150 175 200 250	≈ 2,34	≈ 2,34
157.200.R.0	158.200.R.0		200	216	100 125 150 175 200 250	≈ 2,55	≈ 2,55

1) Lid removable only, not hinged

2) Same dimensions as 157.088 - less recent design, no hinged option

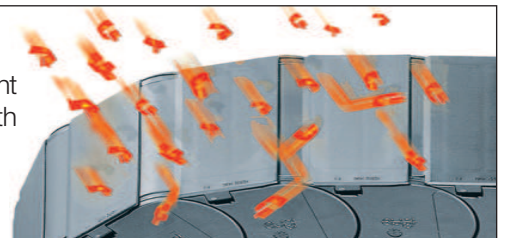
Supplement Part No. with required radius (*R*). Example: 158.100.100.0

Hot Chips up to 850°C

e-tubes that repel hot chips, up to 850°C. Some applications, depending on amount and size of the chips, can burn or melt the surface. That is no longer the case with the igus® "igumid HT" material. Order example: Full e-tube made of igumid HT:

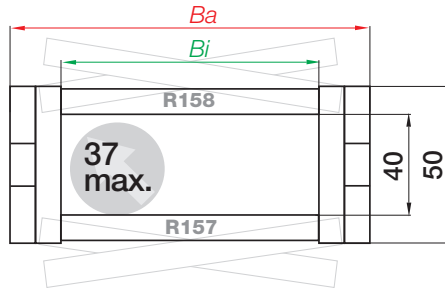
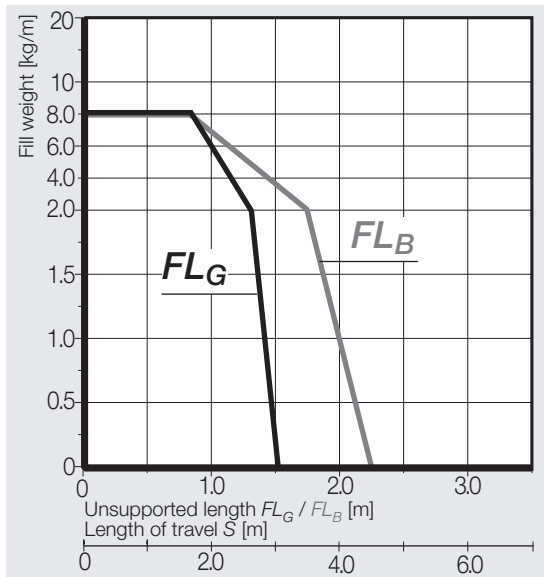
Part No. 158.100.100.0.HT (for long travels upon request)

Delivery time upon request. More information ► www.igus.eu/HT

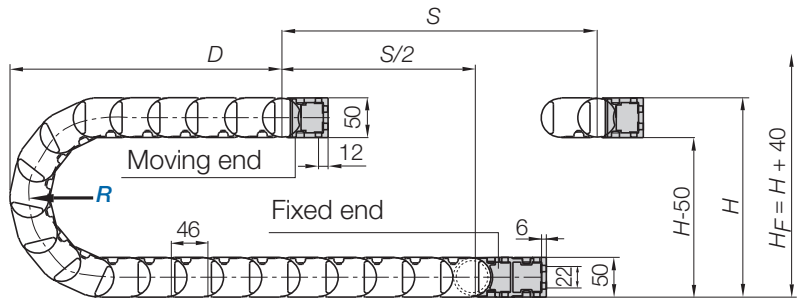




Unsupported applications | Short travels



Inner height 40 mm
Pitch 46 mm/link
Links/m 22 (1012 mm)
Chain length $S/2 + K$

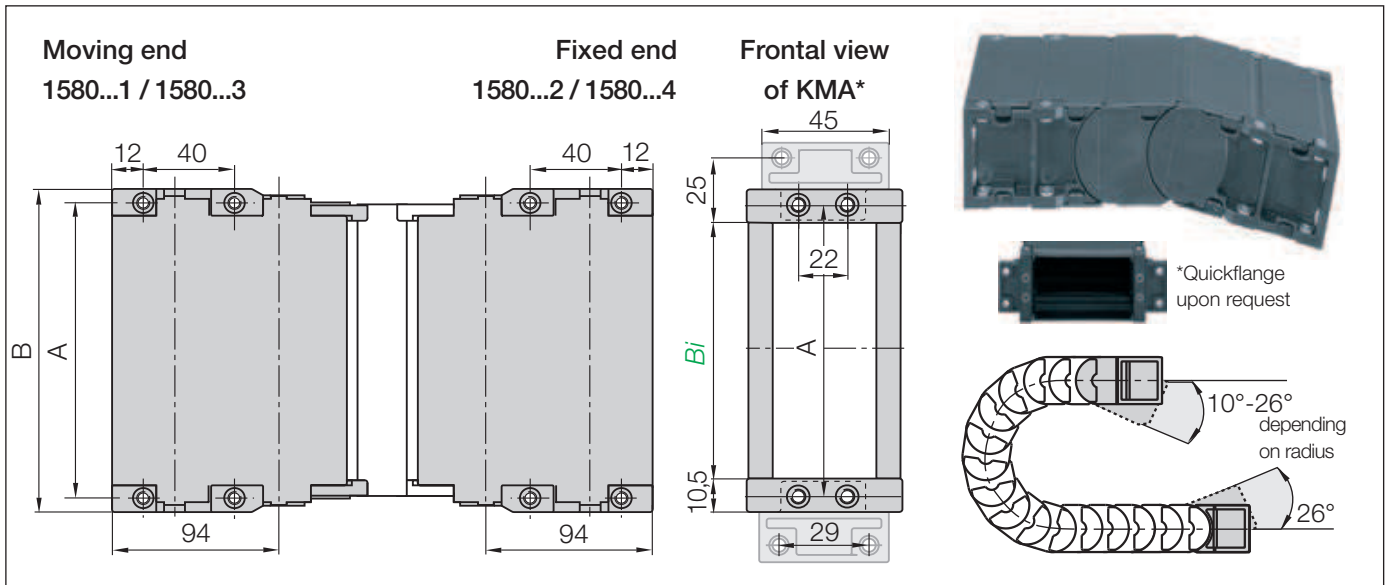


R	100	125	150	175	200	250
H	250	300	350	400	450	550
D	194	219	244	269	294	344
K	410	485	565	645	725	880

The required clearance height: $H_F = H + 40 \text{ mm}$ (with 1,0 kg/m fill weight)

E2 e-tubes R100 | R157·R158 | Accessories

KMA mounting brackets, extended | Attachment on all sides | pivoting | locking



KMA, extended pivoting | Recommended for short travels | Standard

KMA, extended locking | Recommended for vertical hanging, standing applications

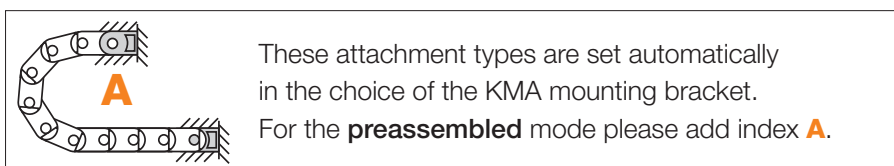
Width Index	Part No. full set KMA pivoting:	Part No. full set KMA locking:	Dim. A [mm]	Dim. B [mm]
.040. ▶	15801.040.12	15801.040.34	50	61
.050. ▶	15800.050.12	15800.050.34	60	71
.075. ▶	15800.075.12	15800.075.34	85	96
.088. ▶	15800.088.12	15800.088.34	98	109
.090. ▶	15801.090.12	15801.090.34	98	109
.100. ▶	15800.100.12	15800.100.34	110	121
.125. ▶	15800.125.12	15800.125.34	135	146
.135. ▶	15800.135.12	15800.135.34	145	156
.150. ▶	15800.150.12	15800.150.34	160	171
.175. ▶	15800.175.12	15800.175.34	185	196
.200. ▶	15800.200.12	15800.200.34	210	221

Full set with assembled Quickflange, please add index **QF** ▶ e.g. **15800.200.12.QF**. Quickflange unassembled: **Part No. 15800.QF**

KMA = Polymer Metal Mounting Bracket)

The following parts are required for attachment of the mounting brackets:

- Socket head cap bolt M5 DIN 912-8.8 Length depends on the thickness of the attachment base
- Hexagon nut M5 DIN 934-8 ● Washer 5,3 DIN 125-ST



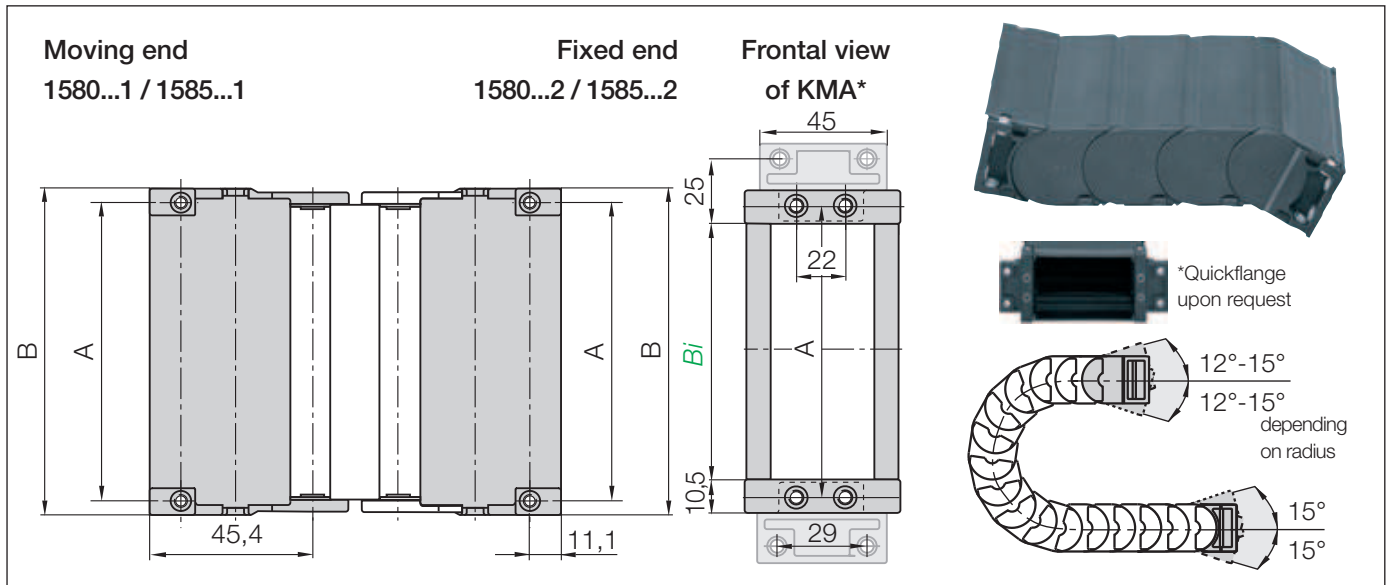
Part No. structure

15800. 100. 12 **A**



Strain relief e.g. clamps, tiwrap plates, nuggets and plug-in clips are available from stock. The complete chainfix range with order options ▶ from page 656

KMA mounting brackets, abbreviated | Attachment on all sides | pivoting | locking



KMA, abbreviated pivoting | Recommended for short travels | Standard

KMA, abbreviated locking | Recommended for vertical hanging, standing applications

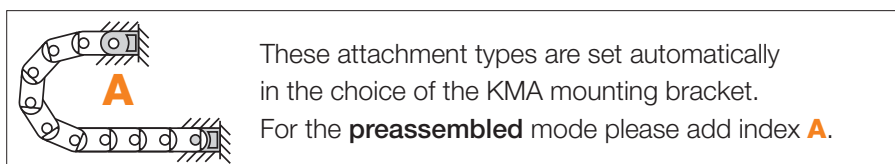
Width Index	Part No. full set KMA pivoting:	Part No. full set KMA locking:	Dim. A [mm]	Dim. B [mm]
.040. ▶	1580.040.12	1585.040.12	50	61
.050. ▶	1580.050.12	1585.050.12	60	71
.075. ▶	1580.075.12	1585.075.12	85	96
.088. ▶	1580.088.12	1585.088.12	98	109
.090. ▶	1580.090.12	1585.090.12	98	109
.100. ▶	1580.100.12	1585.100.12	110	121
.125. ▶	1580.125.12	1585.125.12	135	146
.135. ▶	1580.135.12	1585.135.12	145	156
.150. ▶	1580.150.12	1585.150.12	160	171
.175. ▶	1580.175.12	1585.175.12	185	196
.200. ▶	1580.200.12	1585.200.12	210	221

Full set with assembled Quickflange, please add index **QF** ▶ e.g. **1580.200.12.QF**. Quickflange unassembled: **Part No. 15800.QF**

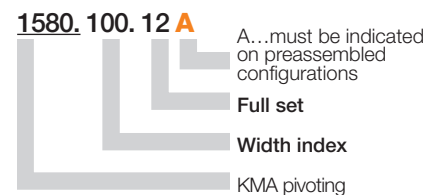
(KMA = Polymer Metal Mounting Bracket)

The following parts are required for attachment of the mounting brackets:

- Socket head cap bolt M5 DIN 912-8.8 Length depends on the thickness of the attachment base
- Hexagon nut M5 DIN 934-8 ● Washer 5,3 DIN 125-ST



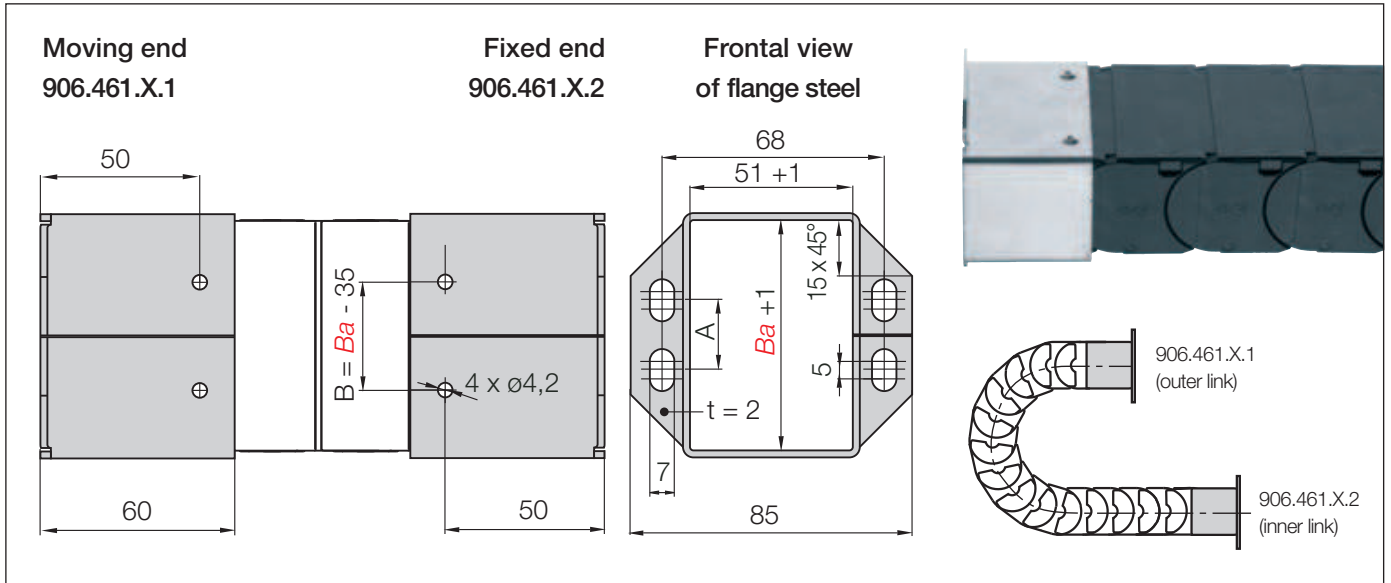
Part No. structure



Strain relief e.g. clamps, tiwrap plates, nuggets and plug-in clips are available from stock. The complete chainfix range with order options ▶ from page 656

E2 e-tubes R100 | R157·R158 | Accessories

Mounting brackets, flange steel | locking



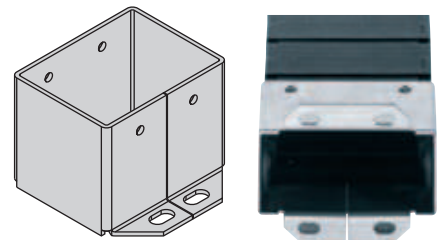
Flange steel, locking | Recommended for short travels


Width Index	Hole pattern	Part No. full set steel, flange	<i>Bi</i> [mm]	<i>Ba</i> [mm]	Dim. A [mm]	Dim. B [mm]
.050. ▶	58.05	906.461.1.12	50	66	20	31
.075. ▶	58.1	906.461.2.12	75	91	30	57

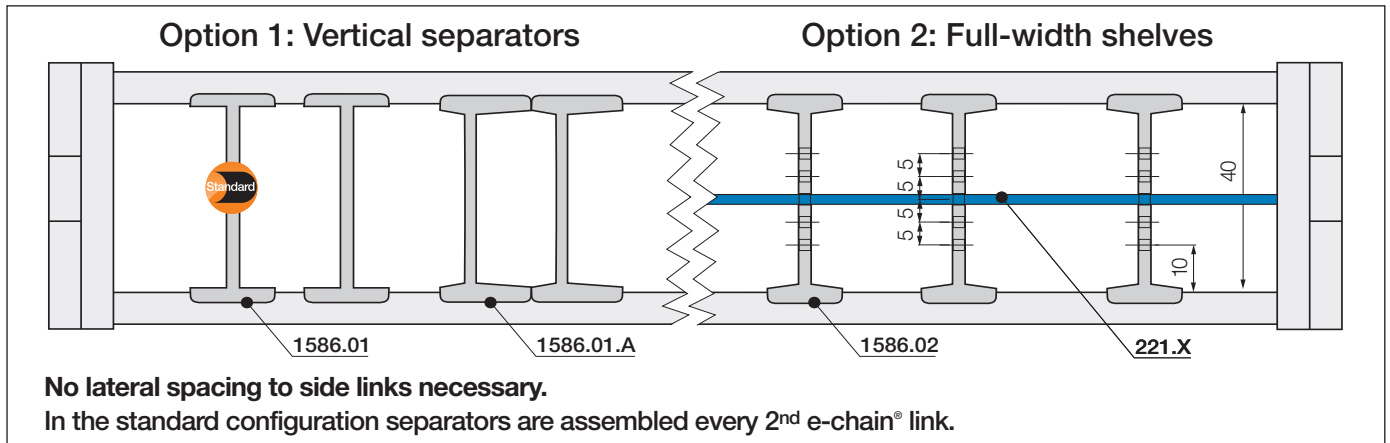
Mounting only with hexagon socket DIN 912 M6 and washer DIN 125, 6,3 mm



Flange steel mounting brackets for E2 e-tubes



 **Strain relief** e.g. clamps, tiwrap plates, nuggets and plug-in clips are available from stock. The complete chainfix range with order options ▶ from page 656



Separator for e-tubes
unassembled **1585.01**
assembled **1586.01**

Separator 1585.01

For a vertical subdivision.

Offers safe stability due to its wide base design, also when used with thick cables or hoses.

Asymmetrical separator
unassembled **1585.01.A**
assembled **1586.01.A**

Asymmetrical separator 1585.01.A

For side-mounted applications.

Asymmetrical separator, for defined distance. No additional spacers necessary.

Separator, slotted for e-tubes
unassembled **1585.02**
assembled **1586.02**

Slotted separator 1585.02

Is used when vertical separation is required. Due to its slot, it allows basic vertical/horizontal shelving arrangements.

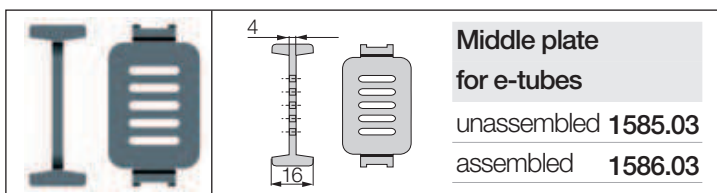
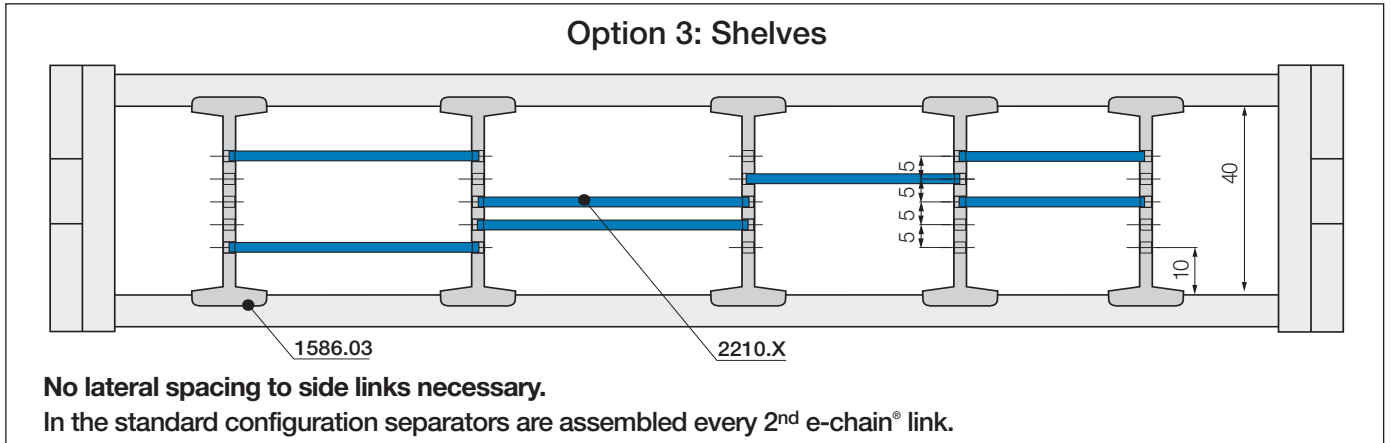
Full-width shelf for e-tubes
unassembled **220.X**
assembled **221.X**

Full-width shelf 220.X

This option makes sense in applications with many thin cables with similar diameters. Full-width shelves can be arranged at 5 different heights (in 5 mm increments).

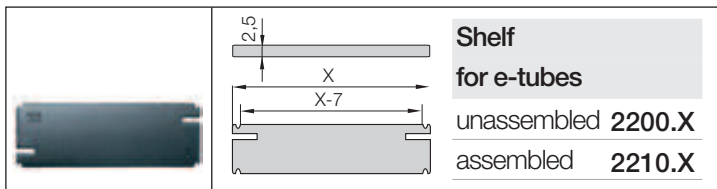
Full-width shelf

Width X [mm]	unassembled	assembled	Width X [mm]	unassembled	assembled	Width X [mm]	unassembled	assembled
040	220.40	221.40	100	220.100	221.100	175	220.175	221.175
050	220.50	221.50	125	220.125	221.125	200	220.200	221.200
075	220.75	221.75	135	220.135	221.135			
088	220.88	221.88	150	220.150	221.150			



Middle plate 1585.03

To achieve a modular shelving the shelf 2200.X can be arranged at 5 different heights (in 5 mm increments).



Shelf 2200.X

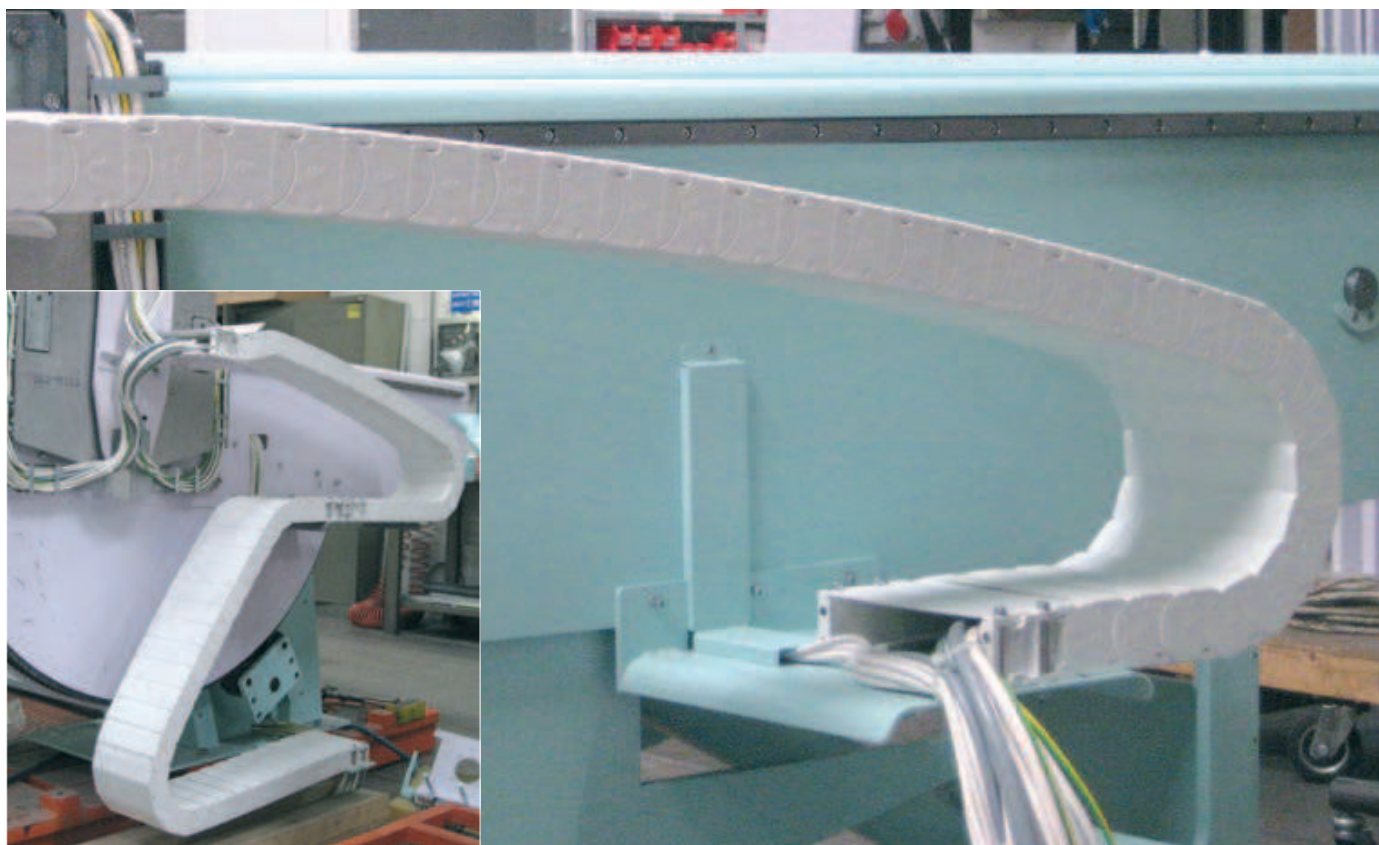
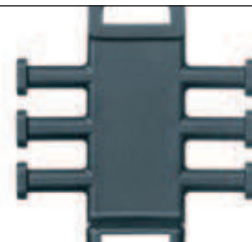
For applications involving many cables with different diameters, shelves can be arranged at alternate heights. They can be arranged at 5 different heights (in 5 mm increments).

Shelves

Width X [mm]	unassembled	assembled	Width X [mm]	unassembled	assembled	Width X [mm]	unassembled	assembled
018	2200.18	2210.18	043	2200.43	2210.43	088	2200.88	2210.88
023	2200.23	2210.23	048	2200.48	2210.48	099	2200.99	2210.99
028	2200.28	2210.28	058	2200.58	2210.58	124	2200.124	2210.124
033	2200.33	2210.33	068	2200.68	2210.68	149	2200.149	2210.149
038	2200.38	2210.38	073	2200.73	2210.73			

Separator with integrated strain relief

Strain relief separator Part No. 1585.01.Z can be integrated into the mounting bracket and can be placed there at any point of the e-chain®. It combines strain relief and interior separation, it can be installed on the first or last e-chain® link and is easy to assemble without any screws. **More information ► from page 676**



igus® white e-tubes Series R100 in a medical application