

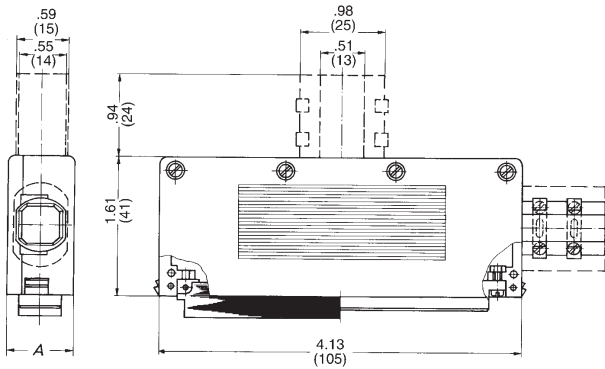
Cable Housing

**For Type C, R, D, F —
For Female and Male
Connectors With Straight
Terminations**

Cable Exits

Cable exit, 2 round cable exits, to accept one cable of 11 mm \varnothing (.433" \varnothing)

Cable Support: The flange is provided with two cable clamps.



Part Numbers

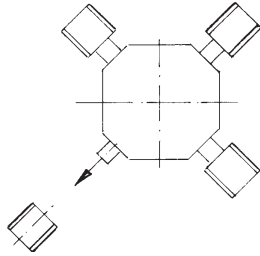
Style	Cable Housing for Connectors			
	C,R,D	Dim./ A [mm]	F	Dim./ A [mm]
	100-000-001	.59 (15 mm)	101-000-001*	.75 (19 mm)
	100-000-002		101-000-002*	



Part Numbers

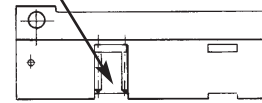
Snap Wedges M and F for Male and Female Connectors		Part Numbers	Packaging Unit
		100-000-008	1 Set

Accessories

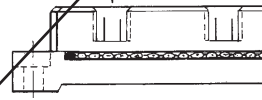


4 Polarization Wedges= 1 set

Cut Out for Polarization



Male Connector

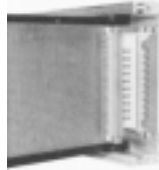
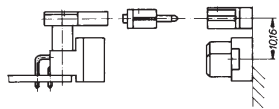
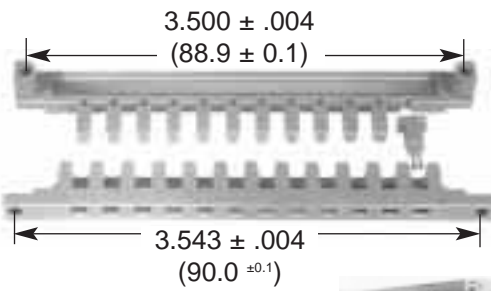


Female Connectors

Polarization Wedge 100-000-043

Polarization Wedge

Polarization Wedge	Packaging Unit
100-000-043	25 Sets



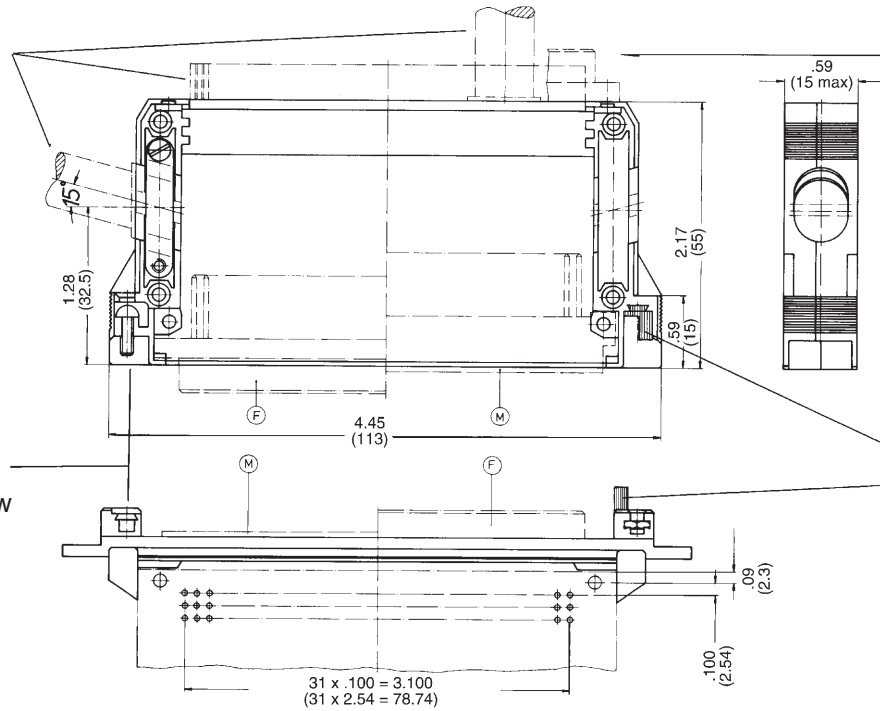
Coding Comb set for type B, C, D, F, AND R

Polarization Wedge	Packaging Unit	Raw Material	Color
100-000-026	10 Sets	Glass Filled Polycarbonate	Red

Interface System

Connector Housing for Type C and D

Cable exit
 ∅ .43 (∅ 11 mm)
 3 round cable exits,
 1 flat cable exit



Mounting method
 for female
 connectors

Locking mechanism
 The mated housing
 is secured by a screw
 locking mechanism

Polarization
 by insertable
 wedges

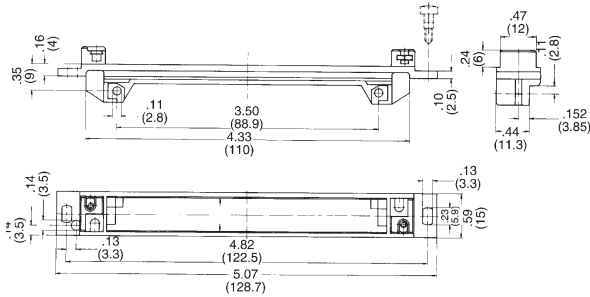
F = Female Connector / M = Male Connector

Part Number

Connector Housing	Packaging unit		
100-000-064	1 Set		
Round Cable Insert	Packaging unit		
100-000-071	10 Sets		
Strain Relief	Packaging Unit		
100-000-072	10 Sets		

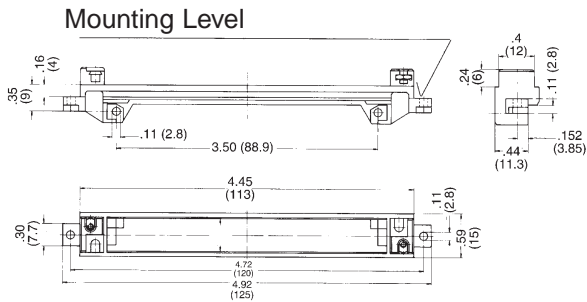
Interface System

Guide-Frame for Special Applications, Converter Frame for Type C and D



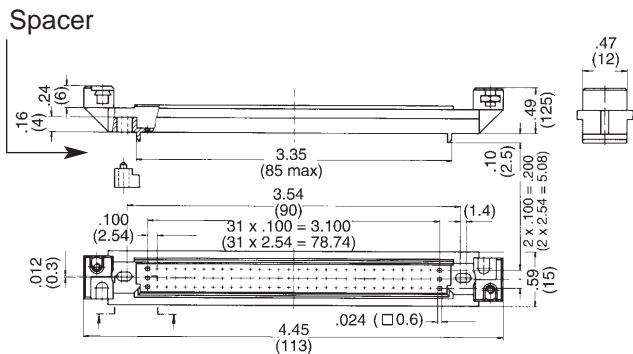
Part Number

Guide Frame	Packaging Unit
100-000-065	10 Sets
Pieces Per Set	1 Guide Frame
	2-Head Screws / M 2.5 x 13 DIN



Part Number

Frame for Special Applications	Packaging Unit
100-000-066	10 Sets
Pieces Per Set	1 Frame for Special Applications
	2-Head Screws / M 2.5 x 13 DIN

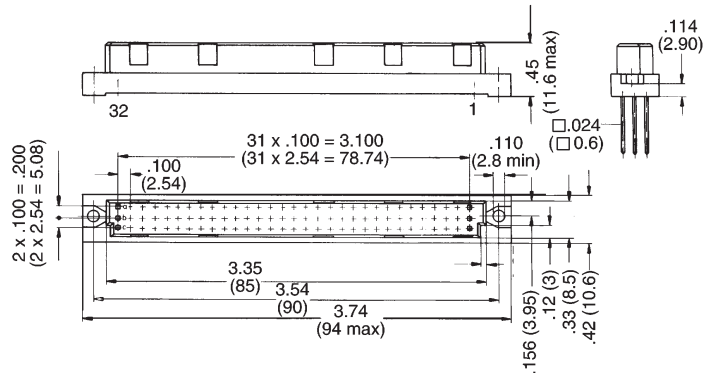
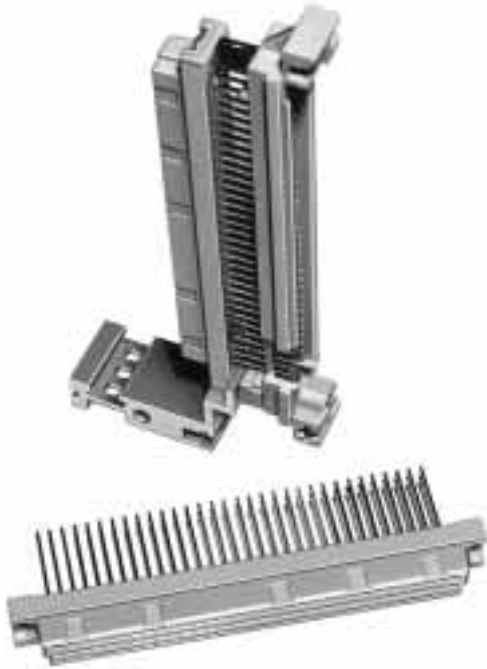


Part Number

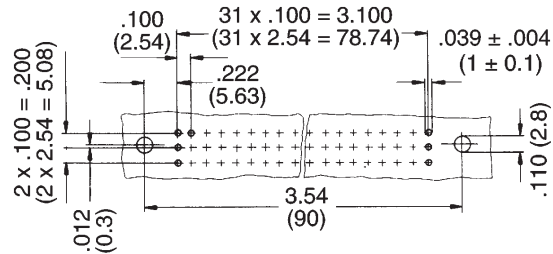
Converter Frame, Type C	Packaging Unit
100-000-067	10 Sets
Pieces Per Set	1 Converter Frame
	2 Spacer .157 (4mm)
	2 Spacer .197 (5mm)
	2 Hexagonal Nuts

**Interface System
Type C,
Series 100S**

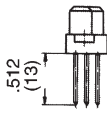
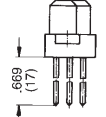
**96 contact female
connectors acc. to DIN
41612 -
with gold plated tips for
interface connections**



Printed Circuit Layout



Part Numbers

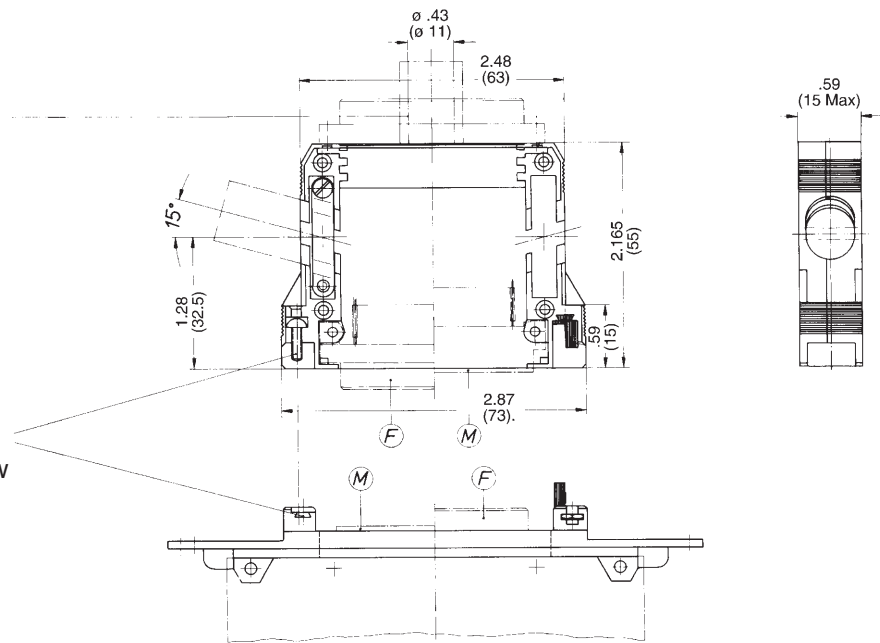
No. of Contacts	Contact Arrangement	Performance Level	Termination Method	
				
96	Fully Equipped	2	100-096S431*	100-096S439*

* Please contact factory for availability.

Interface System

Connector Housing for Type 1/2 C

Cable exit
 ø 11 mm
 3 round cable exits,
 1 flat cable exit



Locking mechanism
 The mated housing
 is secured by a screw
 locking mechanism

F = Female Connector / M = Male Connector

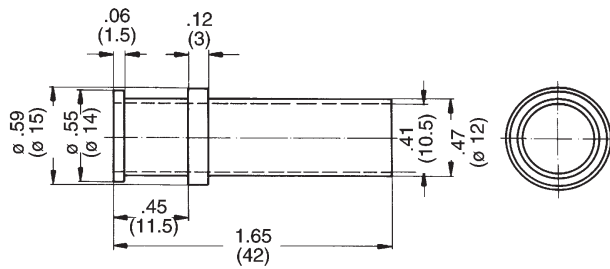
Part Number

Connector Housing	Packaging unit		
100-000-012	1 Set		

Accessories



Cable Bushing



Part Number

Cable Bushing	Packaging Unit
100-000-014	10 Pieces