

For new designs we recommend E2 micro "next generation": Series E2C.15



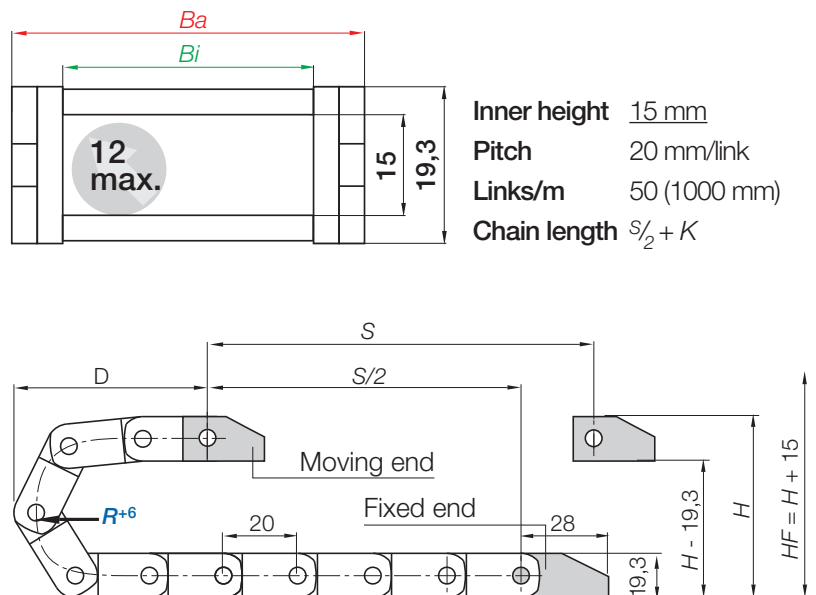
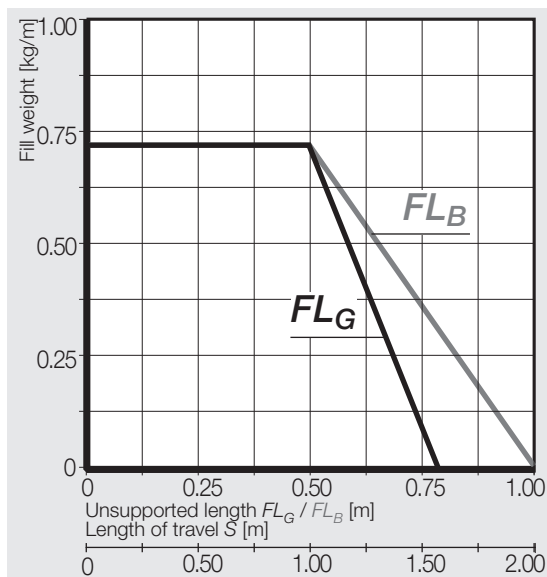
## Series 08 | One-piece, non snap-open e-chain®

e-chain® non snap-open	<i>Bi</i> [mm]	<i>Ba</i> [mm]	<i>R</i> Bending radii [mm]	Weight [kg/m]
08. 10 .R.0	10	18,2	025   028   038   048	≈ 0,21
08. 13 .R.0	13	21,2	025*   028   038   048*	≈ 0,23
08. 16 .R.0	16	24,2	025*   028   038   048	≈ 0,24
08. 20 .R.0	20	28,2	025   028   038   048	≈ 0,25
08. 30 .R.0	30	38,2	025*   028   038   048	≈ 0,28
08. 40 .R.0	40	48,2	025*   028   038   048	≈ 0,31
08. 50 .R.0	50	58,2	025*   028   038   048	≈ 0,37

\*Radius available upon request, please consult igus® for delivery time

Supplement Part No. with required radius (*R*). Example: 08.50.038.0

## Dimensions

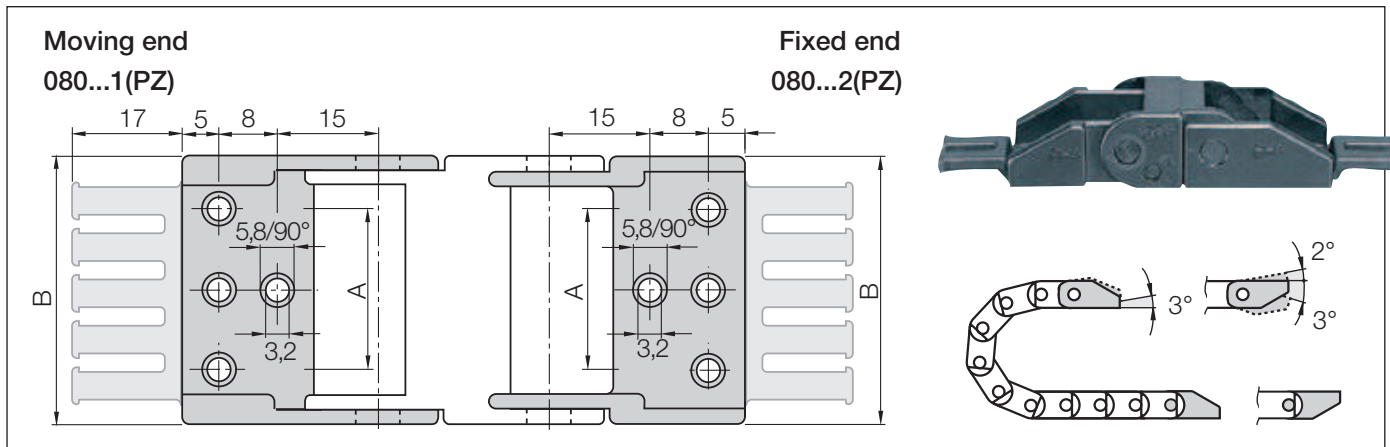


<i>R</i>	025*	028	038	048
<i>H</i>	69	75	95	115
<i>D</i>	65	68	78	88
<i>K</i>	120	130	160	195

The required clearance height:  $H_F = H + 15$  mm (with 0,3 kg/m fill weight)

\*Radius 025 only for Part.No. 08.10. and 08.20.

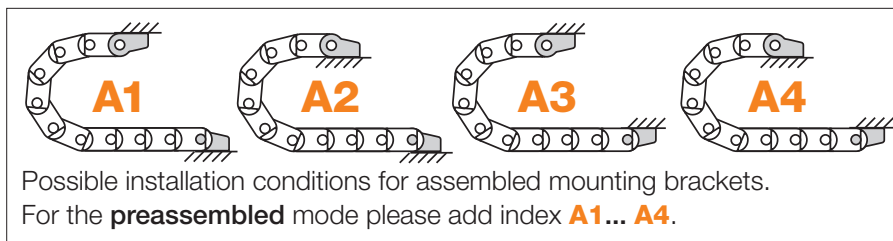
Mounting brackets, polymer one-piece | locking | More features ► [www.igus.eu/08](http://www.igus.eu/08)



Width Index	Standard	Part No. full set with tiewrap plates	Part No. full set without tiewrap plates	Dim. A [mm]	Dim. B [mm]	Number of teeth
.10.	►	<b>080.10. 12PZ</b>	<b>080.10. 12</b>	-	18,2	1
.13.	►	<b>080.13. 12PZ*</b>	<b>080.13. 12</b>	-	21,2	-
.16.	►	<b>080.16. 12PZ</b>	<b>080.16. 12</b>	-	24,2	2
.20.	►	<b>080.20. 12PZ</b>	<b>080.20. 12</b>	-	28,2	2
.30.	►	<b>080.30. 12PZ</b>	<b>080.30. 12</b>	22	38,2	3
.40.	►	<b>080.40. 12PZ</b>	<b>080.40. 12</b>	32	48,2	4
.50.	►	<b>080.50. 12PZ</b>	<b>080.50. 12</b>	42	58,2	5

\*Available upon request, please consult igus® for delivery time

Drilling pattern for width index: **080.10.** - **080.20.** center bores only / **080.30.** - **080.50.** all bores (see figure above)



### Part No. structure

**080.50. 12 PZ A1** A... must be indicated on preassembled configurations  
 With strain relief tiewrap plates  
**Full set**  
 Mounting bracket for selected width index

## Interior separation

**Slotted separator for e-chains®**  
 unassembled **B09.2**  
 assembled **B09.2.1**

### Slotted separator B09.2

Is used when vertical separation is required. Due to its slot, it allows basic vertical/horizontal shelving arrangements.

**Full-width shelf e-chains®/e-tubes**  
 unassembled **110.X**  
 assembled **111.X**

### Full-width shelf 110.X

This option makes sense in applications with many thin cables with similar diameters. For a consequent subdivision.

### Full-width shelves

Width X [mm]	unassembled	assembled	Width X [mm]	unassembled	assembled	Width X [mm]	unassembled	assembled
010	<b>110.10</b>	<b>111.10</b>	020	<b>110.20</b>	<b>111.20</b>	050	<b>110.50</b>	<b>111.50</b>
013	<b>110.13</b>	<b>111.13</b>	030	<b>110.30</b>	<b>111.30</b>			
016	<b>110.16</b>	<b>111.16</b>	040	<b>110.40</b>	<b>111.40</b>			